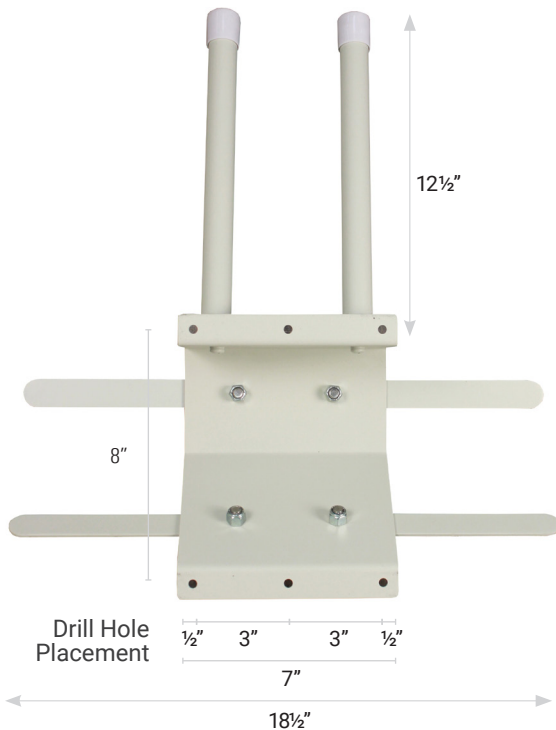


Protective Accessories Rack
683102



- Storage unit for two or more aprons, a pair of glasses and a pair of lead gloves
- Mounts quickly and easily
- 18" wide
- Extends a mere 4.5" from the wall
- Contains no sharp edges
- Perfectly suited to small areas
- Powder coated heavy steel construction

Model Number	Description
683102	Protective Accessory Rack
Dimensions	21" H x 18 1/2" W x 5" D
Colors	White, Custom Options
Options	Powder Coated Steel Stainless Steel (Upgrade)
Shipping	Box 1: 8 lbs (19" x 23" x 8")